

BASO 4.0 PERIMETER



Catalog Number Example

BASO 4.0-RTR-BL-O3-30K-C80-UNV-010V-SEN-955LF-NLC-RS-72IN-CCEA

A RANGE

BASO 4.0 B A S O 4 . 0

B SUB CATEGORY

Perimeter P M

C MOUNTING

CS Recessed trimless	R T L
CS Recessed with trim	R T R
CS Armstrong Suprafine 9/16" G	A 9 G
CS Armstrong Interlude 9/16" SG	A 9 S
CS Armstrong Silhouette 9/16" BSG	A 9 S
CS Armstrong Prelude 15/16" G	A 1 5
CS 9/16" Grid (any brand)	G R D
CS 9/16" Slot Grid (any brand)	G R D
CS 15/16" Grid (any brand)	G R D
Custom	X X X

D COLOR

CS White	W H
CS Black	B L
Gray	G R
Custom color RAL	X X

trimless version available in white only

E LENS REGRESSION

HP opal cover 2" regressed	O 2
HP opal cover 3" regressed	O 3
HP opal cover 4" regressed	O 4

fixture depth is field-adjustable

F END CAP DETAIL

Trim endcap (RTR only)	T R
Trimless endcap - wall to wall	T L
Invisible endcap - wall to wall	I N

G CCT

2700K	2 7 K
CS 3000K	3 0 K
CS 3500K	3 5 K
4000K	4 0 K

H CRI

CRI > 80	C 8 0
CRI > 90	C 9 0

I VOLTAGE

120V / 277V U N V

J DIMMING

CS 0-10V 1%	0 1 0 V
Lutron EcoSystem	L E S 1
Quantum, Vive, GRAFIK Eye, HomeWorks	
Power over ethernet	P O E C
consult customer service for compatibility	
Custom dimming	X X X X
consult customer service for compatibility	

K SENSOR (optional)

Integrated Sensor S E N
consult customer service for sensor request

L OUTPUT LM/FT

CS 500 lm/ft 100% ↓	0 5 0 0 L F
CS 750 lm/ft 100% ↓	0 7 5 0 L F
CS 1000 lm/ft 100% ↓	1 0 0 0 L F
Custom lm/ft	X X X X L F

custom lumen up to 1400 lm/ft

M CIRCUIT / EM

CS Single circuit	*
EMC night light circuit	N L C
EMB available in 4ft and 8ft	E M #

* leave blank

N SHAPE / PATTERN

CS Linear / straight	S T
CS Linear / straight + flex inset	S F

includes 1ft. field-cutttable section; only available for 4' and 8' segments

L-shape	L S
□-shape (rectangular shape)	R S
U-shape	U S
Custom shape	X X

for grid applications using L-shape, rectangular shape or U-shape, please contact customer service for availability

O DIMENSIONS IN INCH

Linear 2'	2 4 I N
CS Linear 4'	4 8 I N
CS Linear 6'	7 2 I N
CS Linear 8'	9 6 I N
Linear custom	## # I N
Linear flex inset	## # I N
includes 4' to 3' field-cutttable section	
L-Shape	## # X ## # I N
U-Shape	## # X ## # X ## # I N
□-Shape	## # X ## # I N

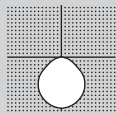
for lengths including flex insets, round up to the nearest total foot length

P CERTIFICATION (optional)

Chicago Plenum	C C E A
Red List Approved	R L A

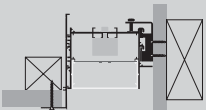
PERFORMANCE

- Up to 111lm/W efficiency
- 500 / 955lm/ft
- CRI > 80 & CRI > 90
- IC & Damp rated



MOUNTING

Perimeter



PATTERNS



Angular

Rectangular

For customization, please contact customer service

FIELD-CUTTTABLE FLEX

Down to 1/16"

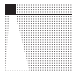



[link to video](#)



BASO
basolighting.com
xalusa.com

Technical data

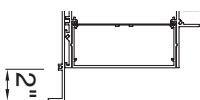
	SIZE TYPE	LED COLOR TEMPERATURE	INPUT WATTS	DELIVERED LM TOTAL	LIGHT DISTRIBUTION	DELIVERED LM DIRECT	DELIVERED LM INDIRECT	OPTICAL EFFICIENCY	LUMINAIRE EFFICACY	
BASO DIRECT										
	e LED	40K	2' linear	9W	1000lm	100% down	500lm/ft	-	74%	111lm/W
			4' linear	18W	2000lm					
			6' linear	27W	3000lm					
			8' linear	36W	4000lm					
			2' + 2' corner	18W	2000lm					
	e² LED	40K	2' linear	18W	1900lm	100% down	955lm/ft	-	74%	106lm/W
			4' linear	36W	3800lm					
			6' linear	54W	5700lm					
			8' linear	72W	7600lm					
			2' + 2' corner	36W	3800lm					

for 30K or 35K multiply lm value by 0.96

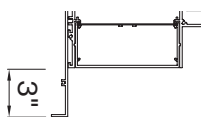
Perimeter depth

field adjustable

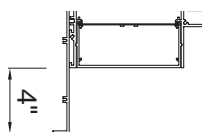
2" REGRESSED



3" REGRESSED

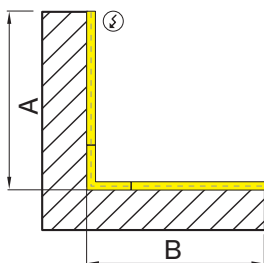


4" REGRESSED

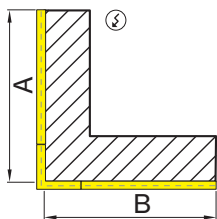


Patterns top view

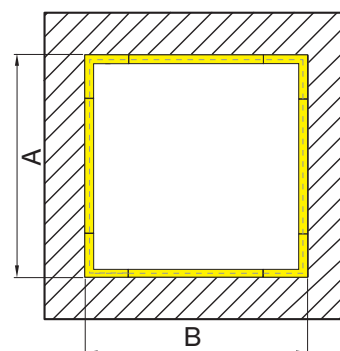
L-SHAPE inside corner



L-SHAPE outside corner

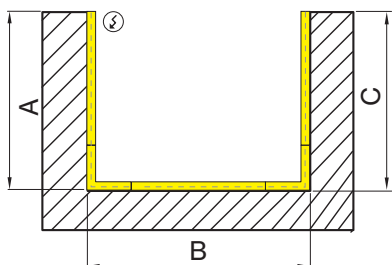


□-SHAPE inside corner

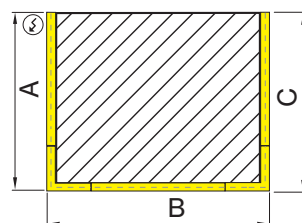


A / B	FIXTURES	CODE
48" / 48"	2 × 2' linear + 1 × 2' × 2' corner	0 4 X 0 4 F T
48" / 96"	1 × 2' linear + 1 × 6' linear + 1 × 2' × 2' corner	0 4 X 0 8 F T
96" / 96"	2 × 6' linear + 1 × 2' × 2' corner	0 8 X 0 8 F T

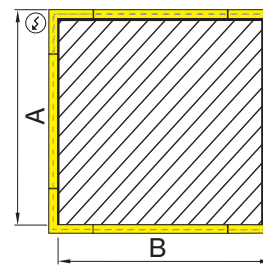
U-SHAPE inside corner



U-SHAPE outside corner



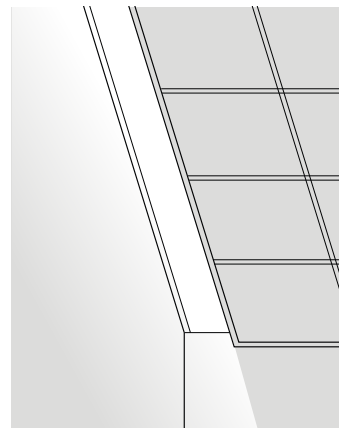
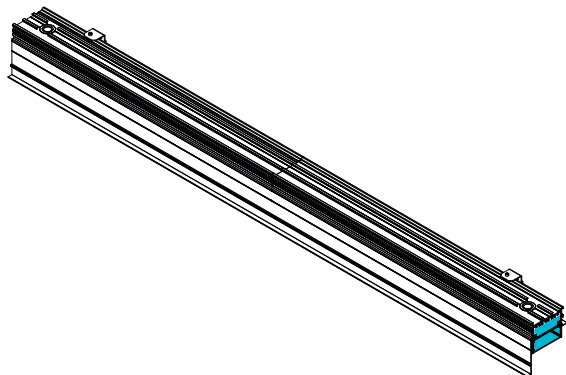
□-SHAPE outside corner



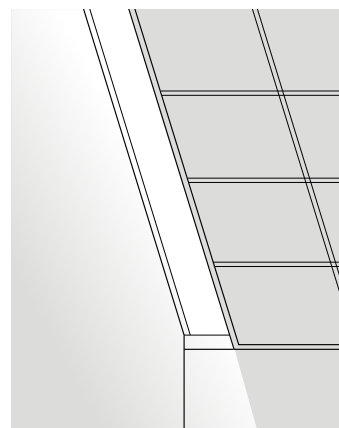
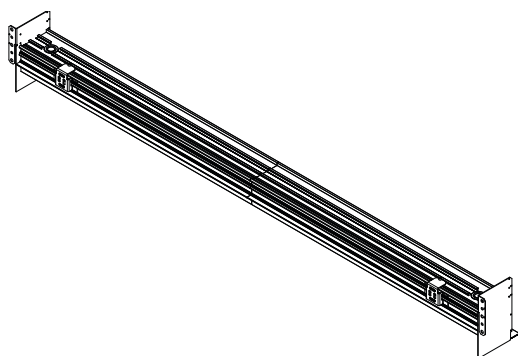
A / B / C	FIXTURES	CODE	A / B	FIXTURES	CODE
48" / 48" / 48"	2 × 2' linear + 2 × 2' × 2' corner	0 4 X 0 4 X 0 4 F T	48" / 48"	4 × 2' × 2' corner	0 4 X 0 4 F T
48" / 96" / 48"	1 × 4' linear + 2 × 2' linear + 2 × 2' × 2' corner	0 4 X 0 8 X 0 4 F T	48" / 96"	2 × 4' linear + 4 × 2' × 2' corner	0 4 X 0 8 F T
48" / 144" / 48"	1 × 8' linear + 2 × 2' linear + 2 × 2' × 2' corner	0 4 X 1 2 X 0 4 F T	96" / 96"	4 × 4' linear + 4 × 2' × 2' corner	0 8 X 0 8 F T

BASO 4.0 PERIMETER

Invisible endcap



Trimless endcap



Trim endcap (RTR only)

